

Code: I30279

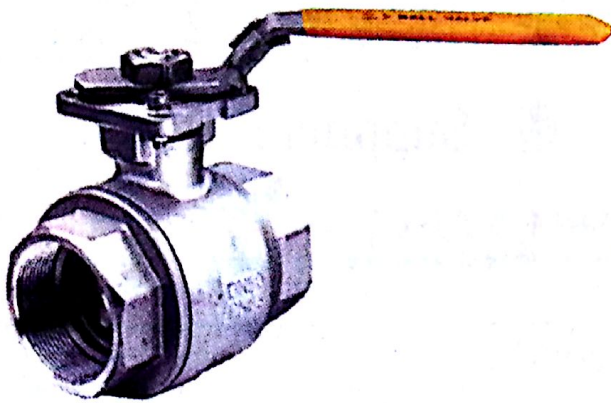
☸ 供应商: 2697

☸ Supplier: 2697

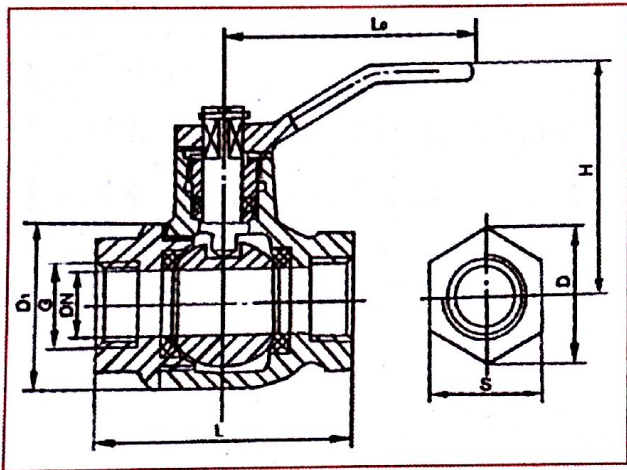
船用法兰铸钢球阀 Casting Steel Ball Valve with Flange

| | | | | | | | |
|------------------------|---|--------------|-----|-----|------------------|------|------|
| 阀体Body Materials | WCB | ZG1Cr18Ni9Ti | CF8 | CF3 | ZG1Cr18Ni12Mo2Ti | CF8M | CF3M |
| 工作温度 Working Temp. | -29-150(Polytetra Fluoro Ethylene) -29-200(Polytetra Fluoro Ethylene with Glass Fibre) -29-300(p-polyphenylene) | | | | | | |
| 公称通径DN(mm) | 15 ~ 300 | | | | | | |
| 外形尺寸 Dimensions(mm) | L | 130 ~ 502 | | | | | |
| | H | 78 ~ 450 | | | | | |
| | D | 95 ~ 460 | | | | | |
| | D1 | 65 ~ 410 | | | | | |
| | D2 | 45 ~ 370 | | | | | |

RP-200 二片式球阀 Ball Valve



| | |
|------------------------------|---|
| 口径 size | DN8 ~ DN80 |
| 连接方式 End Connections | Threaded End |
| 工作压力 Working Pressure | 1/4" ~ 2" 1000psi 2 ~ 1/2" ~ 3" 800psi |
| 温度范围 Temp. Range | -20 to 450° F |
| 螺纹标准 Standard of Thread NPT: | DIN 259 / DIN 2999 / ISO228 / BSPT / BSP |



Code: 130282

☼ 供应商: 2203

☼ Supplier: 2203

PN1.6(MPa) 二片式内螺纹不锈钢球阀

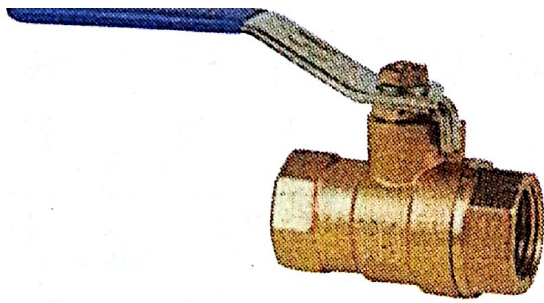
PN1.6(MPa) 2PC Full Port Stainless Steel Ball Valve, Female Thread

适用于工作温度-20℃ ~ 150℃的水、蒸汽、及油类介质的船舶管路上，做启闭用。

Used for temperature range -20℃ ~ 150℃ fresh water, sea water, lubricating oil pipe line.

| 形式 Type | 公称口径 DN(mm) | 公称压力 PN(MPa) |
|---------------|--------------------------|--------------|
| Female Thread | 15 ~ 65 (1/2" ~ 2-1/2") | 1.6 |

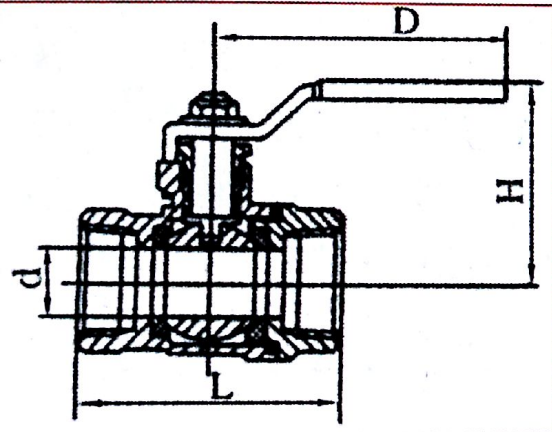
↓ Notes: Certificate ABS, BV, CCS, DNV, GL, LR, NK, RINA.



☼ Supplier: 2207

黄铜丝口球阀

Brass Ball Valve (Threaded) Unit: mm

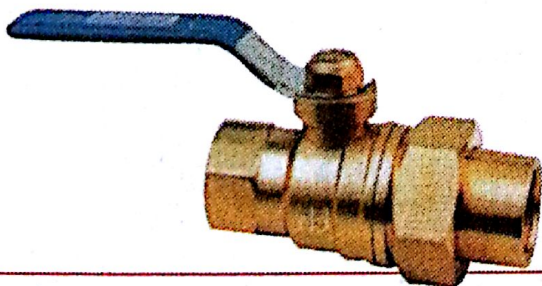


| | | |
|---------------------|---|-----------|
| 公称通径DN | | 15 ~ 50 |
| 通水孔直径Hole Dia. | d | 12.7 ~ 40 |
| 长Length | L | 53 ~ 105 |
| 中心高Center Height | H | 46 ~ 81 |
| 手柄长Length of Handle | D | 95 ~ 160 |

Code: I30288

☼ 供应商: 2207

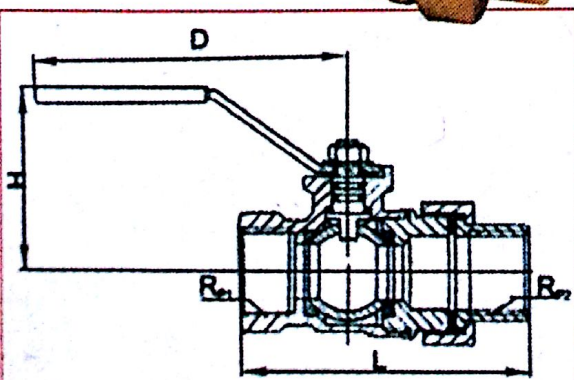
☼ Supplier: 2207



黄铜内螺纹活接球阀

Brass Ball Valve (female & loose joint)

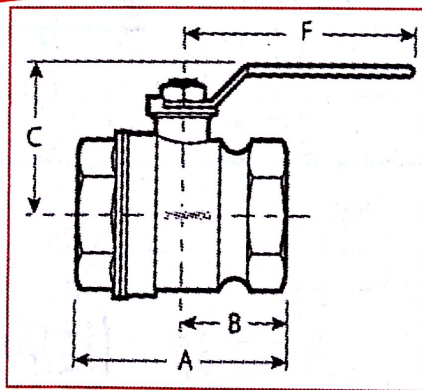
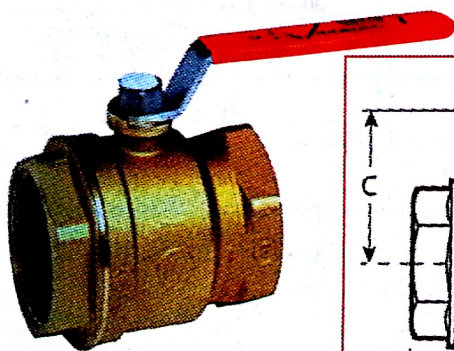
Unit: mm



| | | |
|---------------------|-----|---------------|
| 公称通径DN | | 15/20/15 × 20 |
| 连接螺纹Connect Bolts | RPI | 1/2, 3/4, 1/2 |
| 连接螺纹Connect Bolts | RP2 | 1/2, 3/4, 3/4 |
| 长Length | L | 78/92/86 |
| 中心高Center Height | H | 42/48/42 |
| 手柄长Length of Handle | D | 88/95/88 |

722系列黄铜阀体球阀 Brass Ball Valve

Unit: mm



| | |
|--|-----------|
| 公称通径DN | 8~50 |
| 实际外径Outside Dia. | 13.7~60.3 |
| 额定压力Rated Pressure(kPa) | 4135 |
| A | 39~107 |
| B | 20~53 |
| C | 26~73 |
| F | 42~138 |
| 重量Weight(kg) | 0.09~1.09 |
| 流量系数@Flow coefficient (full opening) Kv value | 6.1~95.2 |

↓ Notes: Certificate BV.